

## PRESSURE REGULATORS

Stainless steel

## TCR10X I SERIES



FROM 1/4" TO 3/8", 100 BAR

OIL & GAS



Pressure Regulators made of stainless steel 316 L designed and manufactured for heavy-duty applications. Control system with convoluted diaphragm for the best stability and precision. Balanced poppet-valve (shutter) to keep the outlet pressure almost constant and independent from inlet pressure fluctuations. Self-relieving execution for exhausting over-pressure, just for compressed air application. Outlet pressure range till to 50 bar . Adjusting by screw with hex. head. Including two gauges for inlet and outlet pressure. Special version (i.e. no self-relieving for gases and liquid) on request.

**Important:** the use of an upstream filter is always recommended.

### APPLICATIONS:

- Pharmaceutical industry;
- Chemical industry;
- Oil & gas and Off Shore applications
- Food industry

### FEATURES:

- Particular attention to the low surface roughness, to grant high cleaning standard;
- Compatible for use in aggressive environments;
- Suitable for extreme temperatures (-60°C), critical environments, hazardous applications;
- Suitable to be cleaned and sanitized by the most common processes;

### MATERIALS

<b>Body, bonnet</b>	316L stainless steel
<b>Seals</b>	NBR – EPDM - FKM - Silicone
<b>Diaphragm</b>	NBR – EPDM - FKM - Silicone
<b>Internal parts</b>	316L stainless steel
<b>Shutter</b>	PU - NBR – EPDM - FKM - Silicone

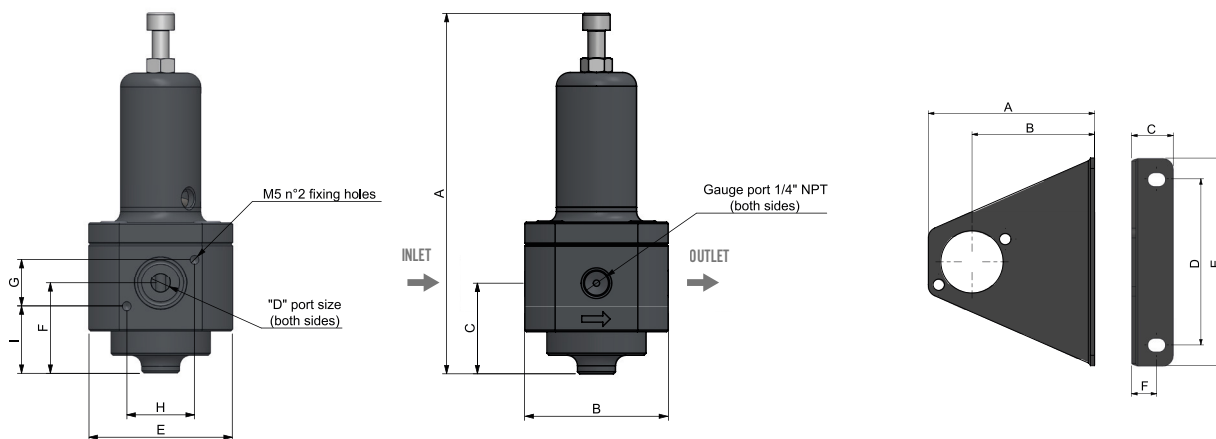
### TECHNICAL DATA

### SERIES I

<b>Port thread</b>	1/4" BSPP F – 1/4" NPT F 3/8" BSPP F – 3/8" NPT F
<b>P. max Inlet</b>	100 Bar (50 bar Temp>80°C)
<b>Range outlet pressure</b>	0.3-3 / 0.5-8 / 0.5-17.2 / 2,5-25 / 5-50 Bar / 44-44 / 7.2-116 / 7.2-250 / 36-362 / 72,5-725 Psi
<b>Gauge connections</b>	1/4" BSPP F - 1/4" NPT F
<b>Self-relieving port</b>	1/8" Gas F
<b>Flow rate*</b>	290 Nm3/h – 4800 dm3/min
<b>Kv*</b>	Kv = 2.12 Nm3/h (EN 60534)
<b>Weight</b>	1.9 kg/4,1lb
<b>Working temp.</b>	-25°C to +110°C (HNBR) / -50°C to +130°C (EPDM) -60°C to +230°C (Silicone) / -20°C +200°C FKM (optional)
<b>Conformity to Directives</b>	2014/34/EU ATEX - ASTM A182 Nace MR0.175 - 2014/68/EU PED

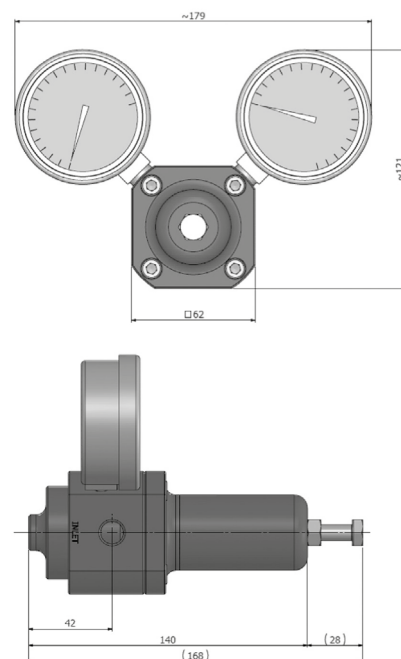
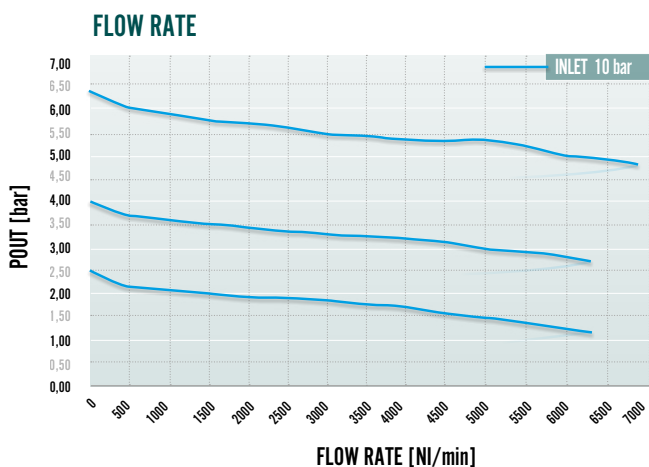
\*) P<sub>IN</sub> 10bar, P<sub>OUT</sub> 6.3bar, ΔP 1bar

## Stainless steel



SIZE	A	B	C	D	E	F	G	H	I
1/4"3/4"	160	62	42	1/4"	62	42	28	28	31

SIZE	A	B	C	D	E	F
1/4"3/8"	80	59	20	80	100	12



### OPTIONALS :

- Flanges (EN1092-1/ANSI)
- Without relieving
- Dome loaded version
- Tri-Clamp Connections
- Threaded hole for connecting gas on bonnet
- FDA Certification